

SAW Resonator 390.0MHz
Part No: MP08277

Model: TC0150A
Rev No: 3

A. FEATURES:

Electrostatic Sensitive Device (ESD)

One-Port Resonator

B. MAXIMUM RATING:

1. Input Power Level: 0dBm
2. DC voltage: 12V
3. Operating Temperature: -40°C to +85°C
4. Storage Temperature: -40°C to +85°C

C. ELECTRICAL CHARACTERISTICS:

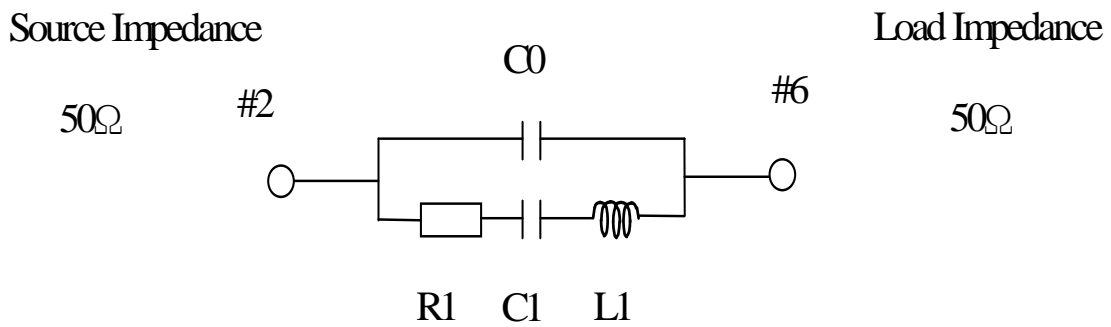
Characteristic	Units	Min.	Typ.	Max.
Center frequency Fr	MHz	389.925	390.000	390.075
Insertion Loss IL	dB	-	1.0	2.5
Equivalent Elements				
Motional capacitance C1	fF	-	2.6	-
Motional inductance L1	μH	-	64	-
Motional resistance R1	Ohm	-	11.2	23
Parallel capacitance C0	pF	-	4.1	-
Temp. coeff.	ppm/c*2	-	0.032	-
Turnover To	deg. C	10	-	40
Package size	SMD 5 x 5 x 1.4mm			

SAW Resonator 390.0MHz
Part No: MP08277

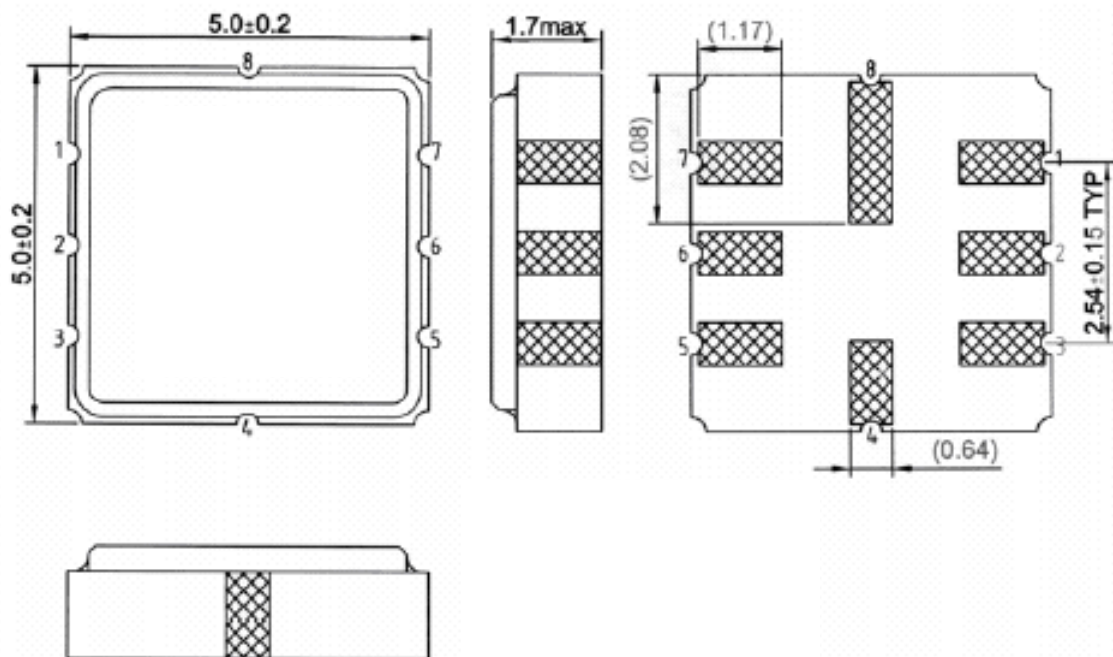
Model: TC0150A
Rev No: 3

D. EQUIVALENT CIRCUIT:

One-Port Resonator:



E. OUTLINE DRAWING:

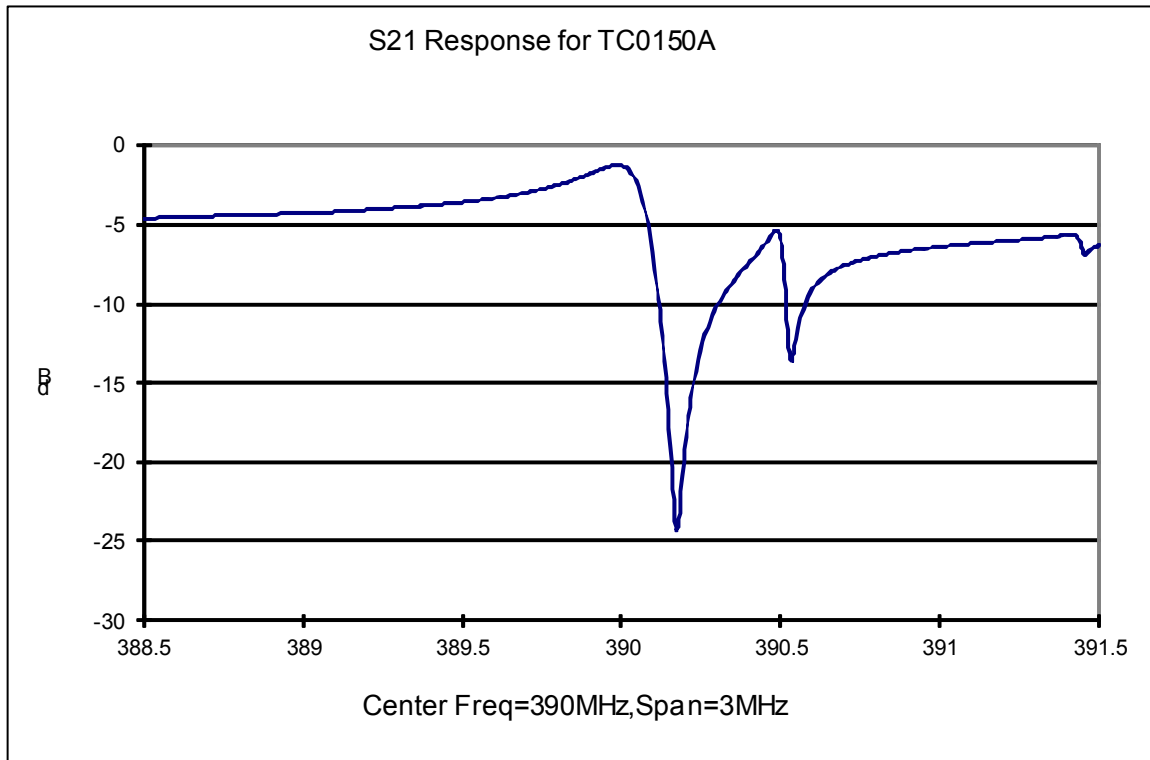


- 2: Input or output
 - 6: Output or input
 - 4, 8: Case ground
 - 1, 3, 5, 7: Ground
- Unit: mm

SAW Resonator 390.0MHz
Part No: MP08277

Model: TC0150A
Rev No: 3

F. FREQUENCY CHARACTERISTICS:

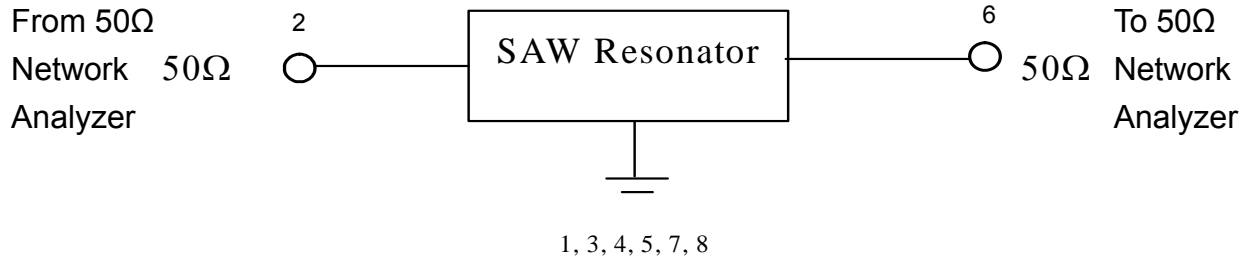


SAW Resonator 390.0MHz
Part No: MP08277

Model: TC0150A
Rev No: 3

G. TEST CIRCUIT:

Network analyzer



H. LAND PATTERN:

