

374MHz SAW IF Filter

Model: TB0152A

Part No: MA05415

REV NO.: 3

A. MAXIMUM RATING:

1. Input Power Level: 10 dBm
2. Operating Temperature: -10°C to 85°C
3. Storage Temperature: -40°C to 85°C

B. ELECTRICAL CHARACTERISTICS:

Item	Unit	Min.	Type.	Max.	Note
Center frequency, Fc	MHz	-	374	-	
Insertion Loss, IL	dB	-	8.6	10	
Passband width, BW3	MHz	17	23.3	-	
Amplitude Ripple in $Fc \pm 7\text{MHz}$	dB	-	0.7	1	
Group delay ripple in $Fc \pm 7\text{MHz}$	nS	-	45	100	
Triple transit suppression	dB	30	38	-	
Attenuation:(Reference level from Min IL)					
274MHz to 330 MHz	dB	40	48	-	
330MHz to 349.5MHz	dB	40	44	-	
349.5MHz to 355 MHz	dB	30	37	-	
393MHz to 398.5MHz	dB	30	39	-	
398.5MHz to 422MHz	dB	35	40		
422MHz to 474MHz	dB	40	47	-	

374MHz SAW IF Filter
Part No: MA05415

Model: TB0152A
REV NO.: 3

C.FREQUENCY CHARACTERISTICS:

(1) wide band of Response:

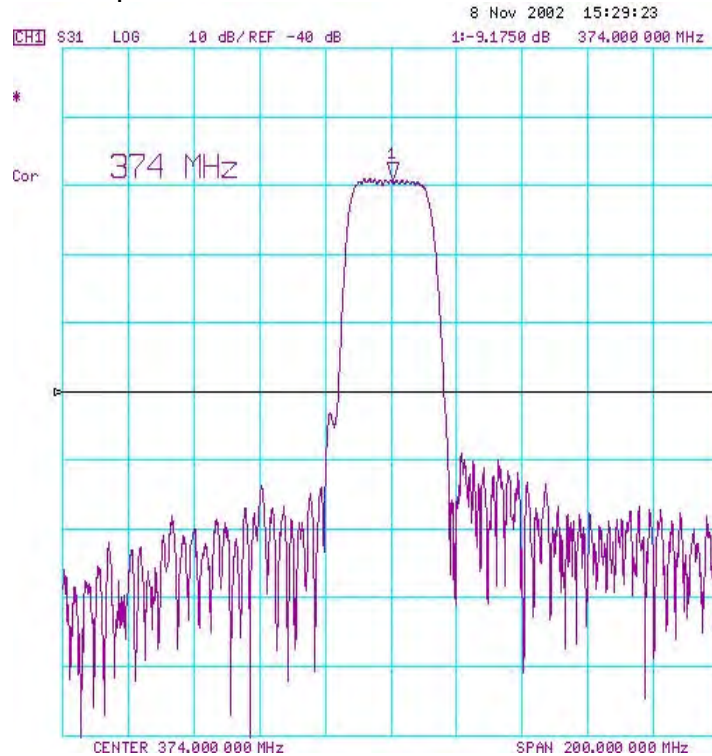


Fig-1 S21 Response Horizontal: 20MHz/Div. Vertical: 10dB/div REF. : -40dB

(2) Passband of Response:

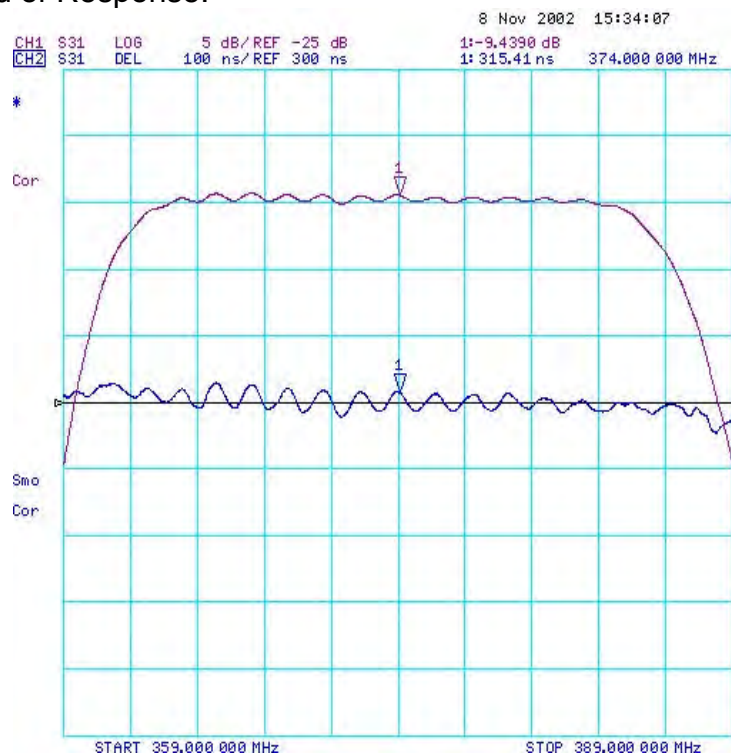


Fig-1 S21 Response Horizontal: 3MHz/Div. Vertical: 5dB/Div, 100nS

374MHz SAW IF Filter

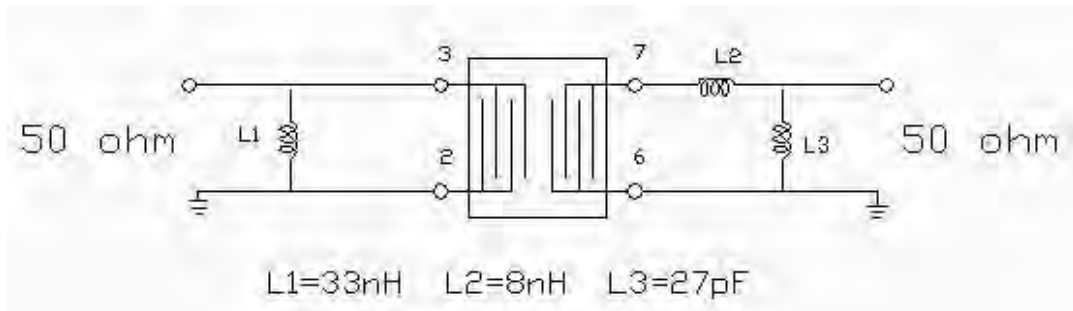
Model: TB0152A

Part No: MA05415

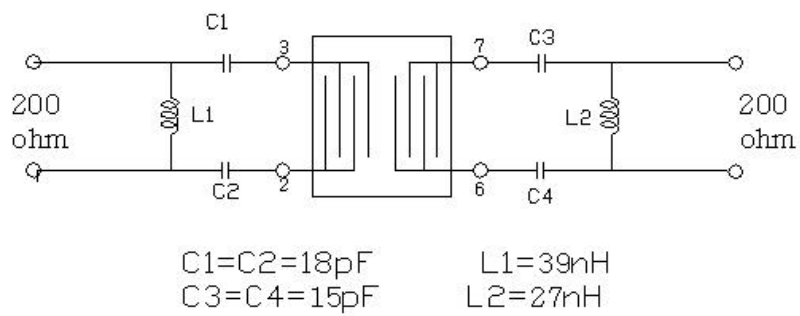
REV NO.: 3

D. MEASUREMENT CIRCUIT:

(1) 50 Ω unbalanced:



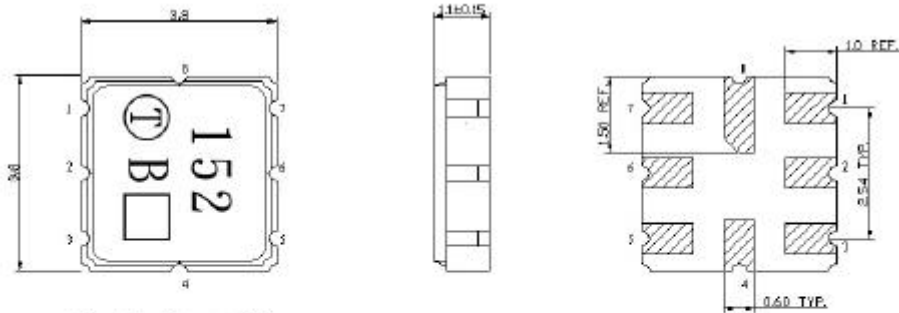
(2) 200 Ω balanced:



374MHz SAW IF Filter
Part No: MA05415

Model: TB0152A
REV NO.: 3

E. OUTLINE DRAWING:



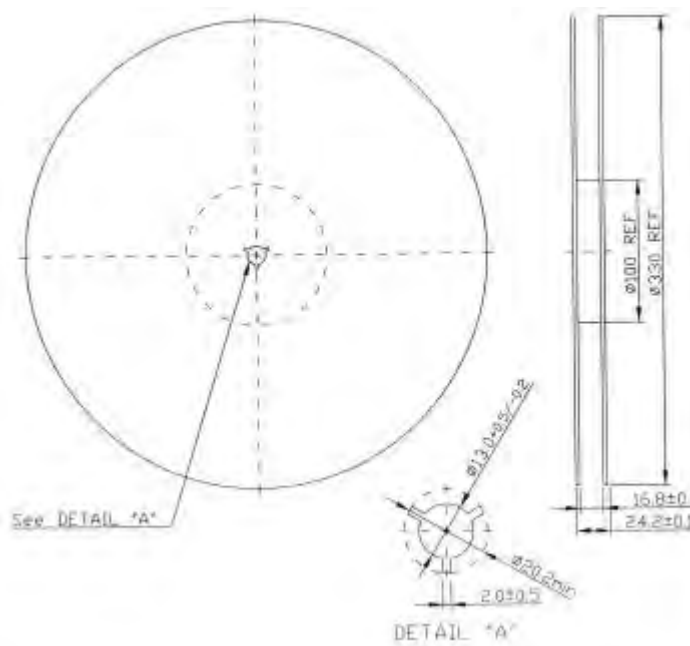
Pin 7: Output RF
Pin 3: Input RF
Pin 6: Output RF Ground or Balance Return Output
Pin 2: Input RF Ground or Balance Return Input
Pin 1, 4, 5, 8: To be Ground
□ : Date code
Unit : mm

374MHz SAW IF Filter
Part No: MA05415

Model: TB0152A
REV NO.: 3

F. PACKING:

1. REEL DIMENSION



2. TAPE DIMENSION

